

# OIL STORAGE SOLUTIONS

## "ROTH" TANK MATE Installation Instructions

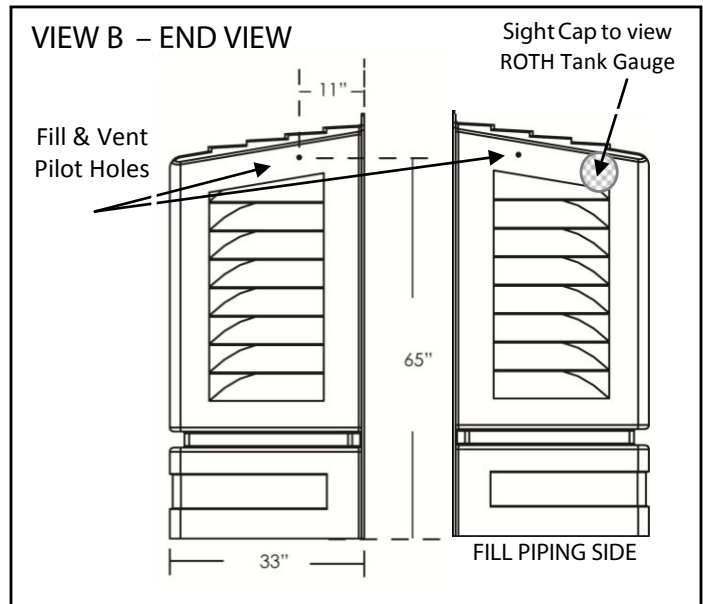
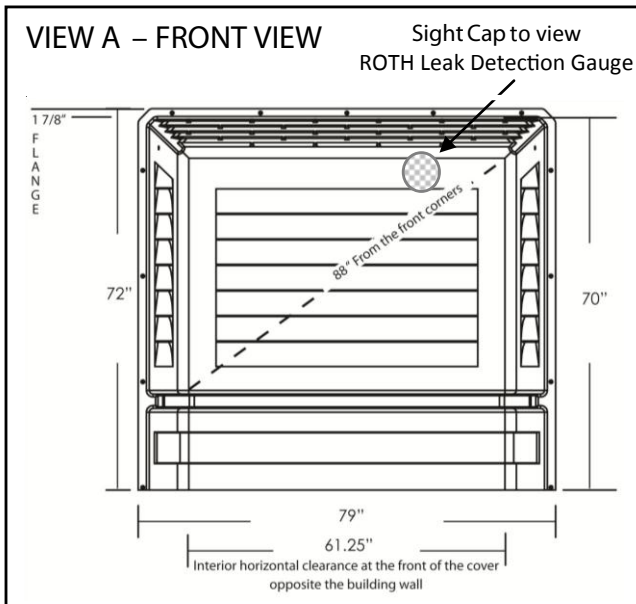
INSTRUCTIONS ARE FOR TANK MATE COVERING THE DWT 1000L 275 GALLON ROTH TANK

### INCLUDED PARTS

### NEEDED PARTS

### REQUIRED TOOLS

Tank Mate Accessory Kit: 2 Sight Caps	(3) 2" Elbows (2) 2x18" Black Nipple (1) 2x3" Black Nipple Necessary Fill and Venting accessories	3" Hole Saw Blade Drill Screwdriver
---	--	---



### STEP 1 – INSTALLATION LOCATION– VIEW E

The Tank Mate can be installed on level ground or a cement slab  
 If the Tank Mate is going to stand on a cement slab, the pad should be APPROX 80" x 36"  
 The Roth Tank is to be installed 1/2" from the outside wall. The Tank Mate will stand flush against the outside wall. REFER to VIEW E

### STEP 2 – PREPARING TANK MATE - VIEW B

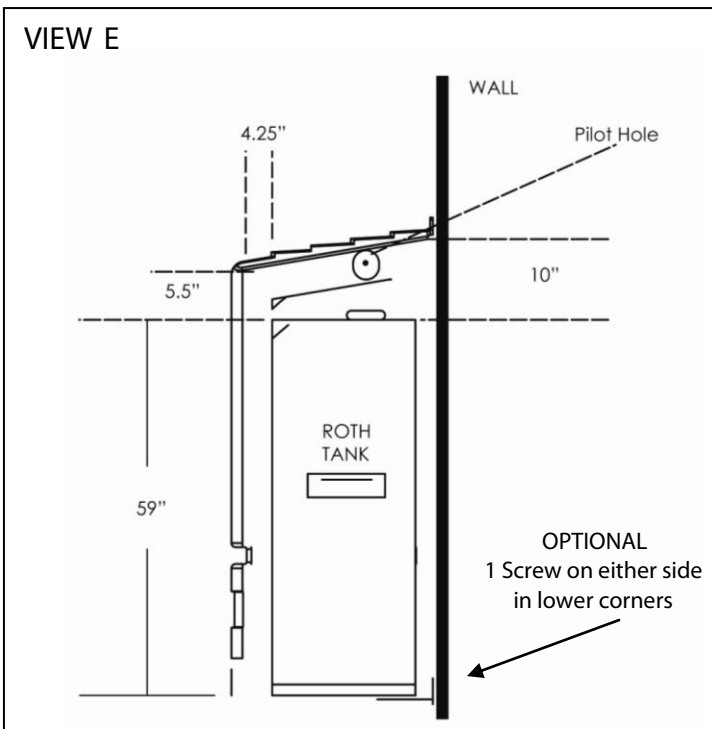
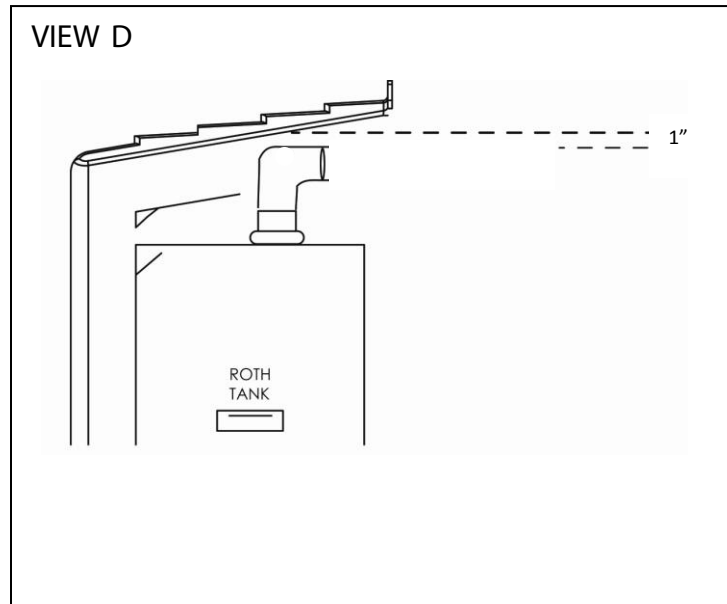
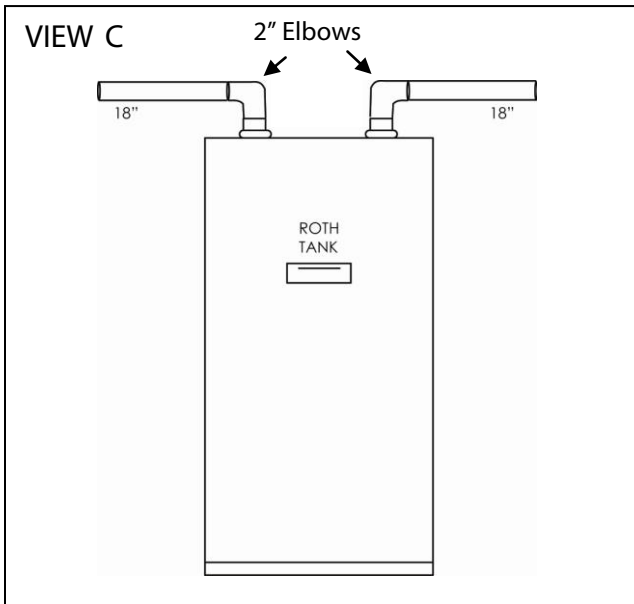
Using 3" hole saw, drill out Fill and Vent holes on both sides - See VIEW B  
 Install Sight Kit. Two parts provided. One for viewing the ROTH Tank Gauge – The other for viewing the ROTH Leak Detector. These can also be installed last to ensure proper placement. See VIEWS A & B.

### STEP 3 – PREPARING THE ROTH TANK - VIEW C

1. Install the Roth tank in its final location.
2. Using the Roth Cap Nuts on the Fill and Vent, install both 2" elbow fittings.
3. Attach 18" Nipples and extend beyond the sides of the Tank. VIEW C

## STEP 4 – INSTALLING THE COVER

1. Slide either side of the Tank Mate over one of the 18" pipes.
2. Extend the Tank Mate over the opposite 18" pipe.
3. Complete fill box as required.
4. Install 2" elbow on the Vent piping, final position facing up. Install 2"x 3" nipple to the elbow.
5. Complete vent cap assembly as required.
6. If necessary, the Tank Mate can be secured to the home. see VIEW E.



For Installation questions or  
assistance, please call anytime at  
**1.877.482.6562**

Contact Info:  
Oil Storage Solutions  
19 Mill Street  
Amityville, NY 11710

Phone:516.221.4762  
Fax:516.221.7099  
E-Mail:Kevin@oilstoragesolutions.com  
Web Site: [www.tanktub.com](http://www.tanktub.com)  
[www.cleaningupoil.com](http://www.cleaningupoil.com)